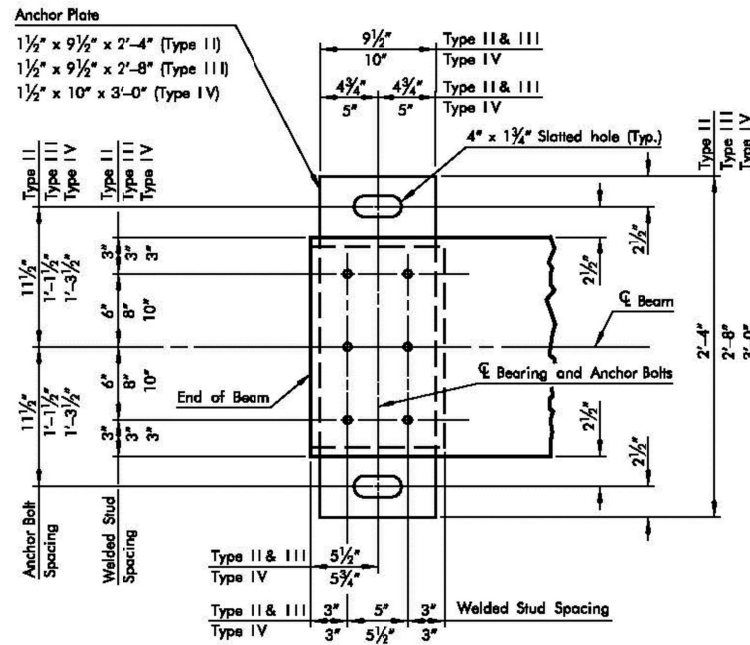
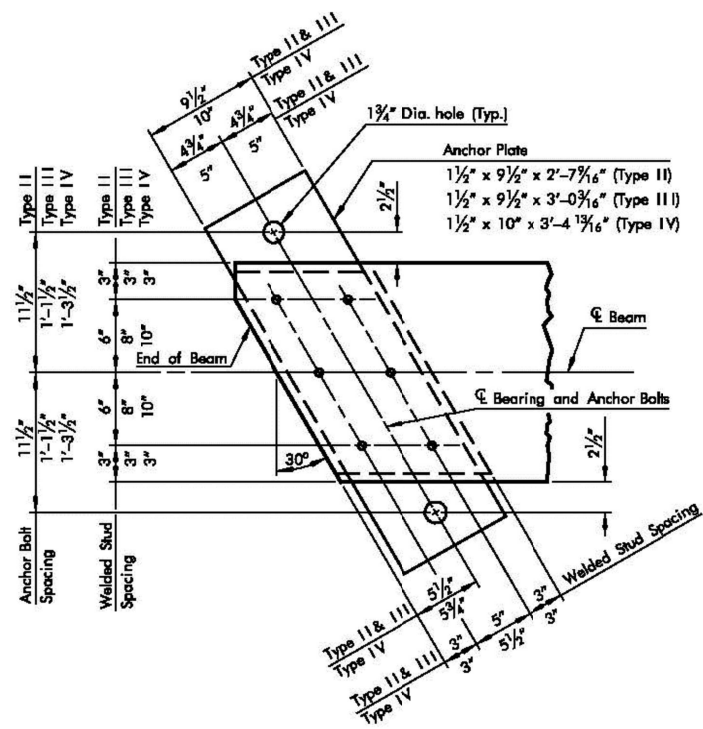


FIXED END

PLAN VIEW - 0° SKEW

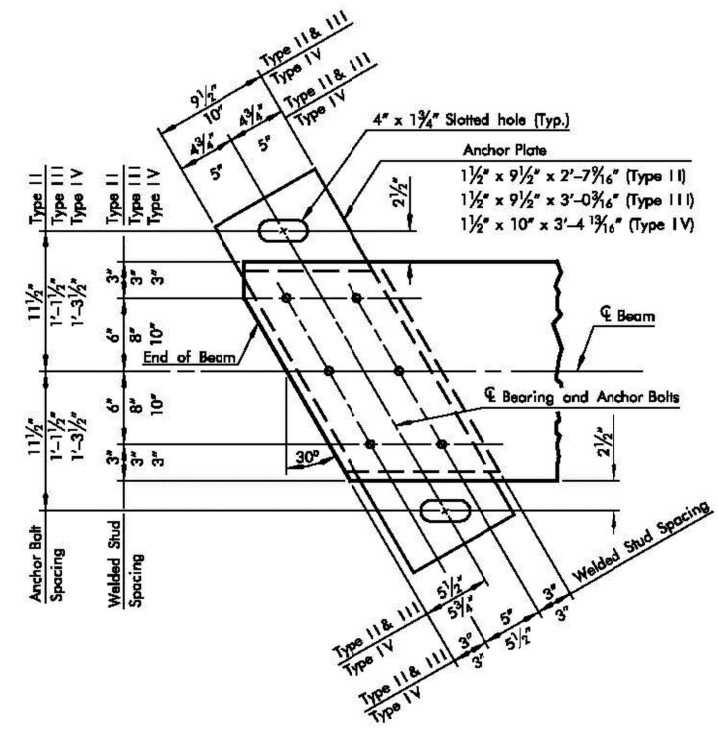


EXPANSION END



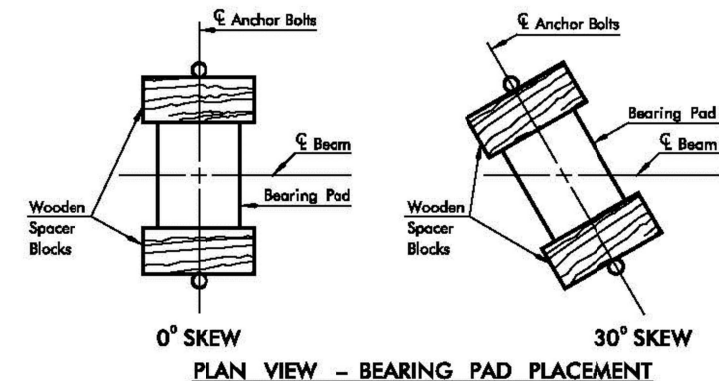
FIXED END

PLAN VIEW - 30° SKEW



EXPANSION END

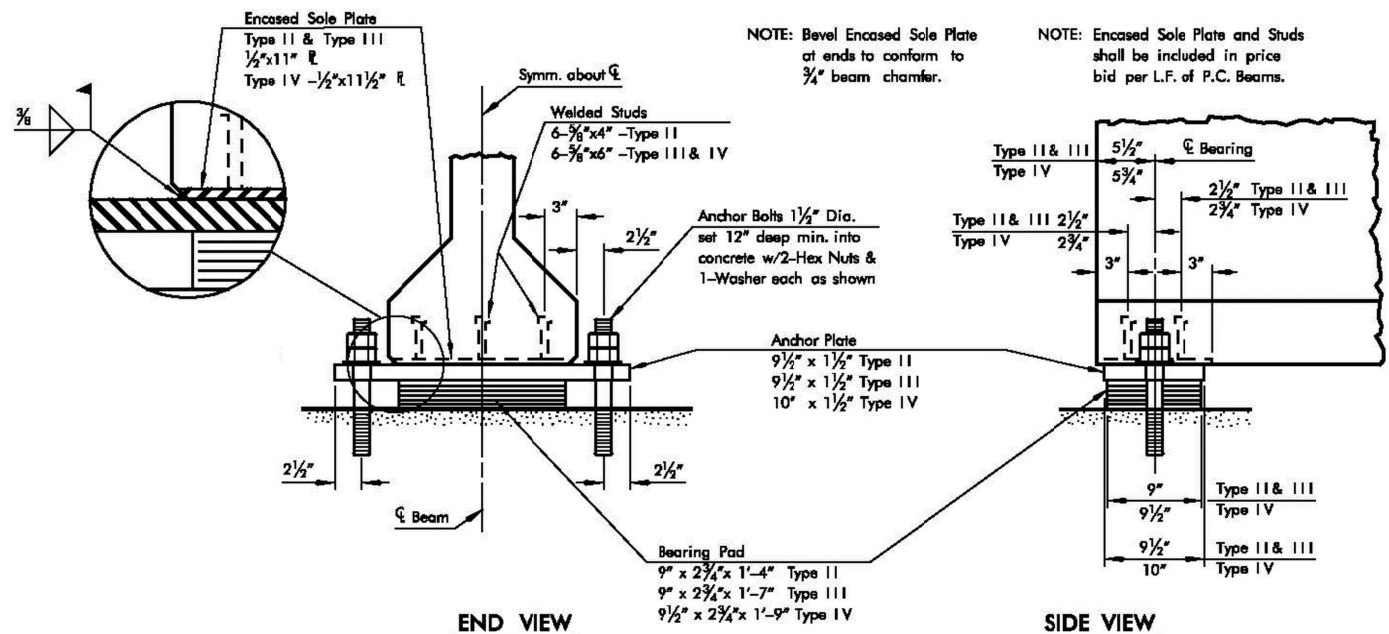
NOTE: 30° Rt. Fwd. Skew shown.
30° Lt. Fwd. Skew by opposite Hand.



PLAN VIEW - BEARING PAD PLACEMENT

NOTE: Bearing Pad shall be centered under the beam using wooden spacer blocks between the pad and the anchor bolts. The wooden spacer block shall be removed after the slab is poured.

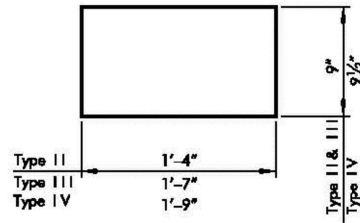
All cost of the wooden spacer blocks shall be included in the price bid for other items.



END VIEW

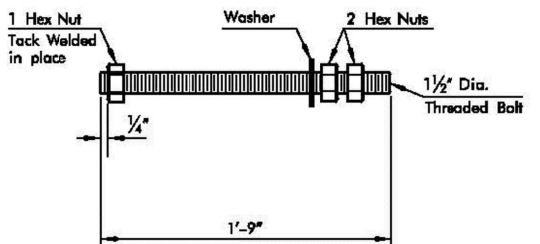
SIDE VIEW

DETAIL OF ANCHOR ASSEMBLY AT ABUTMENTS



DETAIL OF BEARING PAD

NOTE: All pads shall be rectangular.



ANCHOR BOLT DETAIL

NOTES:
Weight of bearing assembly (including anchor plate, anchor bolts, nuts and washers, diaphragm bolt assembly and steel angle bumper assembly) is included in the structural steel quantities. All cost of material, labor, equipment and incidentals necessary to install diaphragm bolt and bearing assembly will be paid for at unit price bid for structural steel.

All cost of Elastomeric Bearing Pads will be included in the price bid for other items of work.

1 1/2" Anchor Plates for P.C. Beam bearing assembly shall be match-marked, shipped loose and field welded to the encased sole plate in order that minor horizontal adjustments of the bearing pad location can be made if necessary. Metal used in field weld will not be measured for payment.

ELASTOMERIC BEARING PAD SCHEDULE	
SPAN LENGTH	DESCRIPTION
35' Thru 50'	9" x 2 3/4" x 1-4", 60 Duro 2 - 3/16" Exterior Layers 4 - 7/16" Interior Layers 5 - 14 Ga. Steel Laminates
55' Thru 75'	9" x 2 3/4" x 1-7", 60 Duro 2 - 3/16" Exterior Layers 4 - 7/16" Interior Layers 5 - 14 Ga. Steel Laminates
80' Thru 105'	9 1/2" x 2 3/4" x 1-9", 60 Duro 2 - 3/16" Exterior Layers 4 - 7/16" Interior Layers 5 - 14 Ga. Steel Laminates

CREEK COUNTY DOG CREEK

BEARING DETAILS FOR P.C.BEAMS